

EN SIGN 10 STAND

The double inclination stand,
support 15 and 75 degrees.

Fully customizable, colour, brand logo, etc...

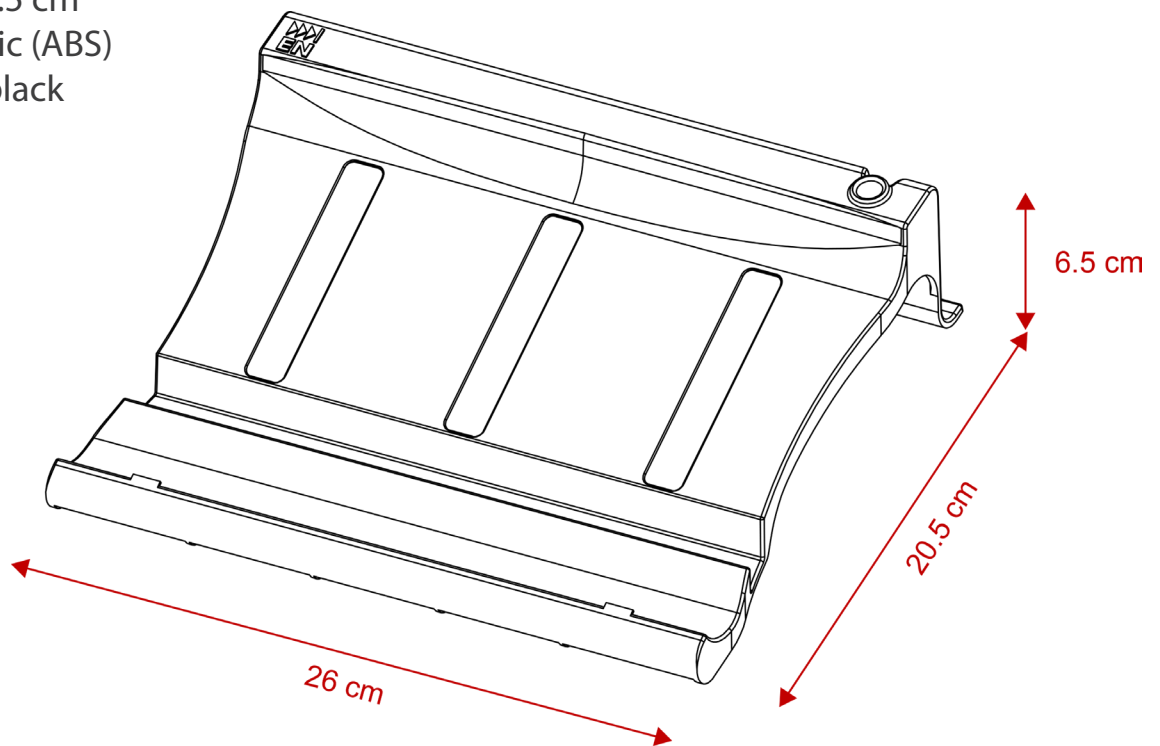
Can easily integrate any external devices (fingerprint
reader, card reader, etc...).



ENSIGN10 STAND

PRODUCT SPECIFICATIONS

- Dimensions: (W x D x H)
26.0 x 20.5 x 6.5 cm
- Material: Plastic (ABS)
- Colour: Matt black



DIGITAL MARKETING POSITION

- Angle: 75°

SIGNATURE POSITION

- Angle: 15°

EURONOVATE SA

Via Pian Scaiolo, 11

6915 Lugano

Switzerland (CH)

Tel/Fax: 0041 919809516